

# ALUMINIUM MINI SLIDE (FULL EXTENSION)

L=R

AR3-16

M MINI SLIDE

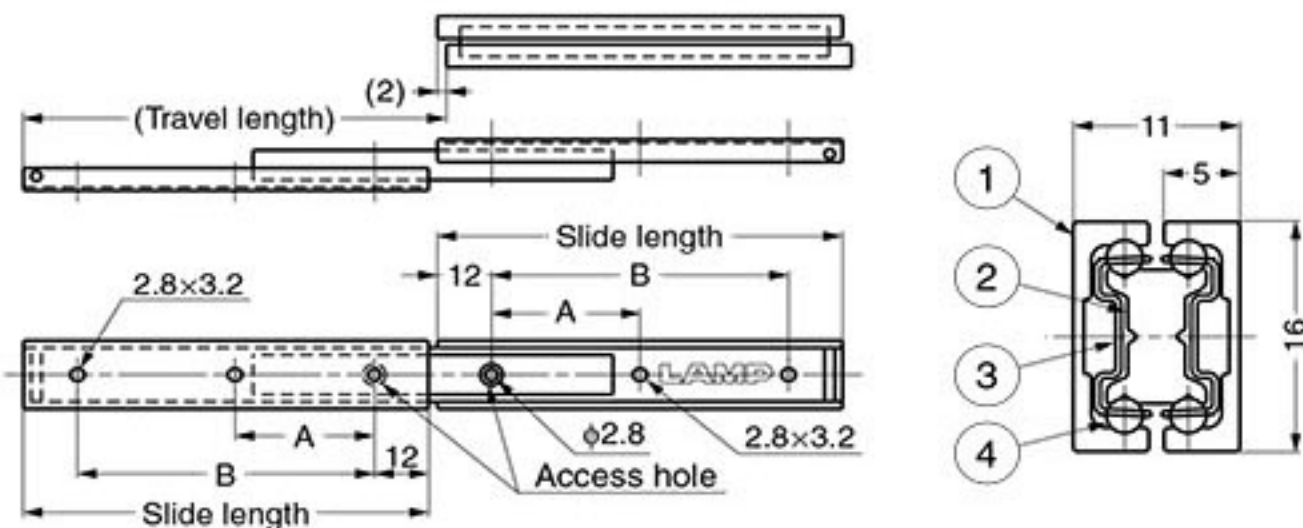


## Features

- Full extension (3 members).
- Thin profile for various applications.
- Light-weight aluminium body.

## Recommended Screws

For outer rail: M2.5 low head screw



No.	Part Name	Material	Finish
①	Outer Rail	Aluminium Alloy	Anodized Silver
②	Inner Rail	Aluminium Alloy	Anodized Silver
③	Retainer	Steel	Zinc Chromate Steel
④	Balls	Steel	-

Sold by piece.

Item Code	Item Name	Slide Length	Travel Length	A	B	Load Capacity N	Load Capacity kgf	Weight	Box
190-012-581	AR3-16-80	80	77	-	56	20 N/pair	2 kgf/pair	31.44 g	10 pcs
190-012-582	AR3-16-100	100	117	38	76	29 N/pair	3 kgf/pair	35.6 g	10 pcs
190-012-583	AR3-16-150	150	151	63	126	39 N/pair	4 kgf/pair	54.3 g	10 pcs

